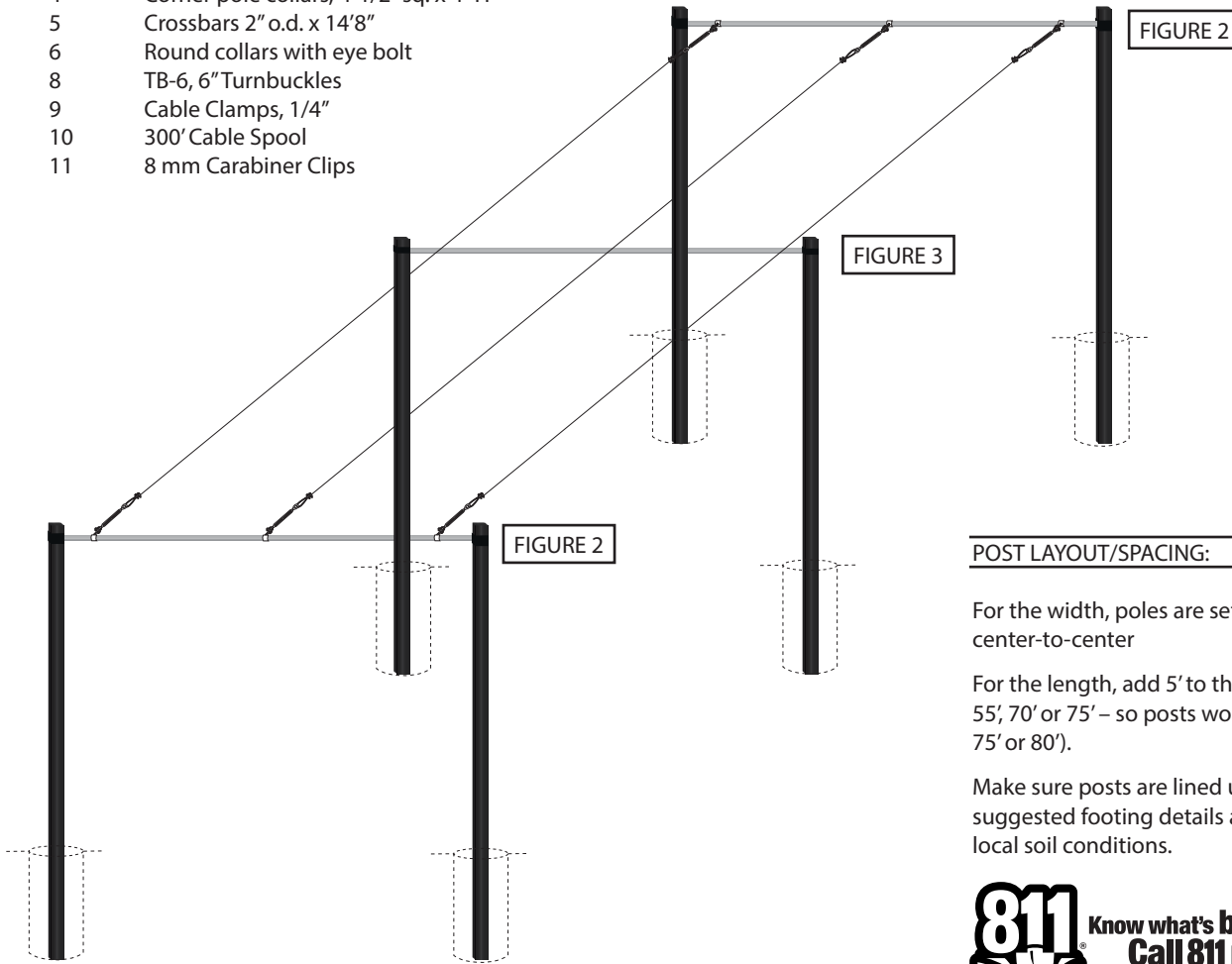


PARTS LIST:

UNITS	REF #	DESCRIPTION
6	1	Poles, 4" square steel x 14'
6	2	24" Aluminum ground sleeves
6	3	Black top cap
6	4	Corner pole collars, 4-1/2" sq. x 4" H
3	5	Crossbars 2" o.d. x 14'8"
9	6	Round collars with eye bolt
6	8	TB-6, 6" Turnbuckles
12	9	Cable Clamps, 1/4"
1	10	300' Cable Spool
100	11	8 mm Carabiner Clips



POST LAYOUT/SPACING:

For the width, poles are set 15' apart center-to-center

For the length, add 5' to the net length (usually 55', 70' or 75' – so posts would be placed at 60', 75' or 80').

Make sure posts are lined up correctly with the suggested footing details as shown, consult local soil conditions.

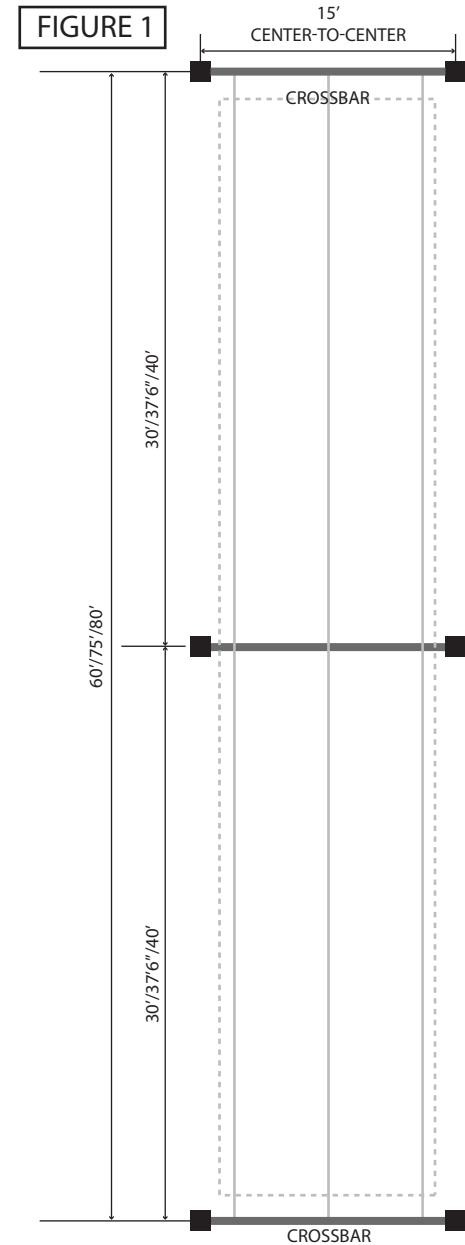
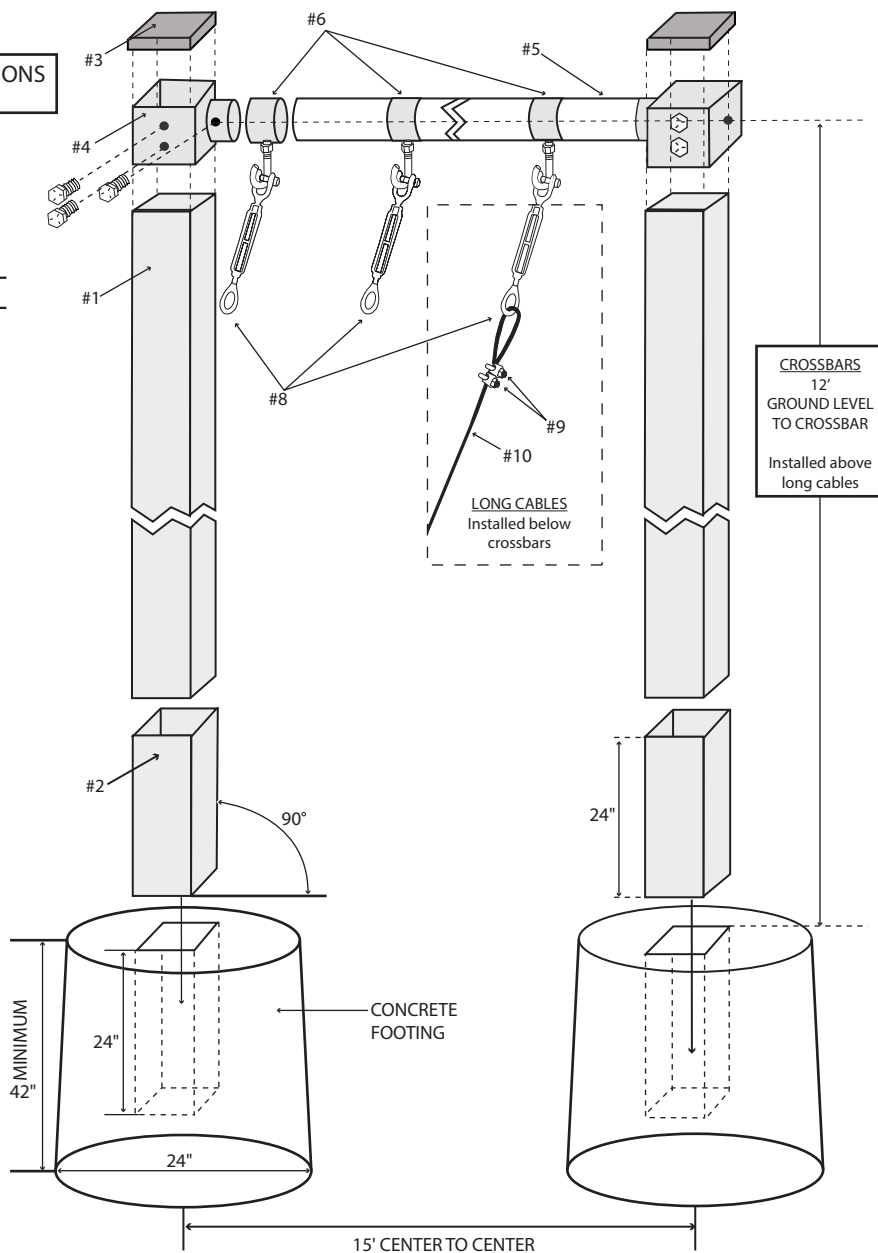


FIGURE 2 - END SECTIONS WITH CROSSBARS
NOT TO SCALE



HARDWARE & NET INSTALLATION

1. The (3) long cables should be cut 5' longer than the post spacing to allow for making loops.
2. Install the hardware as shown in the main layout diagram and Figures 2 & 3.
3. Unroll the net and lay on the ground inside the frame, locate the top border ropes.
4. Starting at one corner attach the top ropes of the net to the cables with carabiner clips, spaced every 3' per Figure 4.

FIGURE 3 - MIDDLE SECTION
NOT TO SCALE

