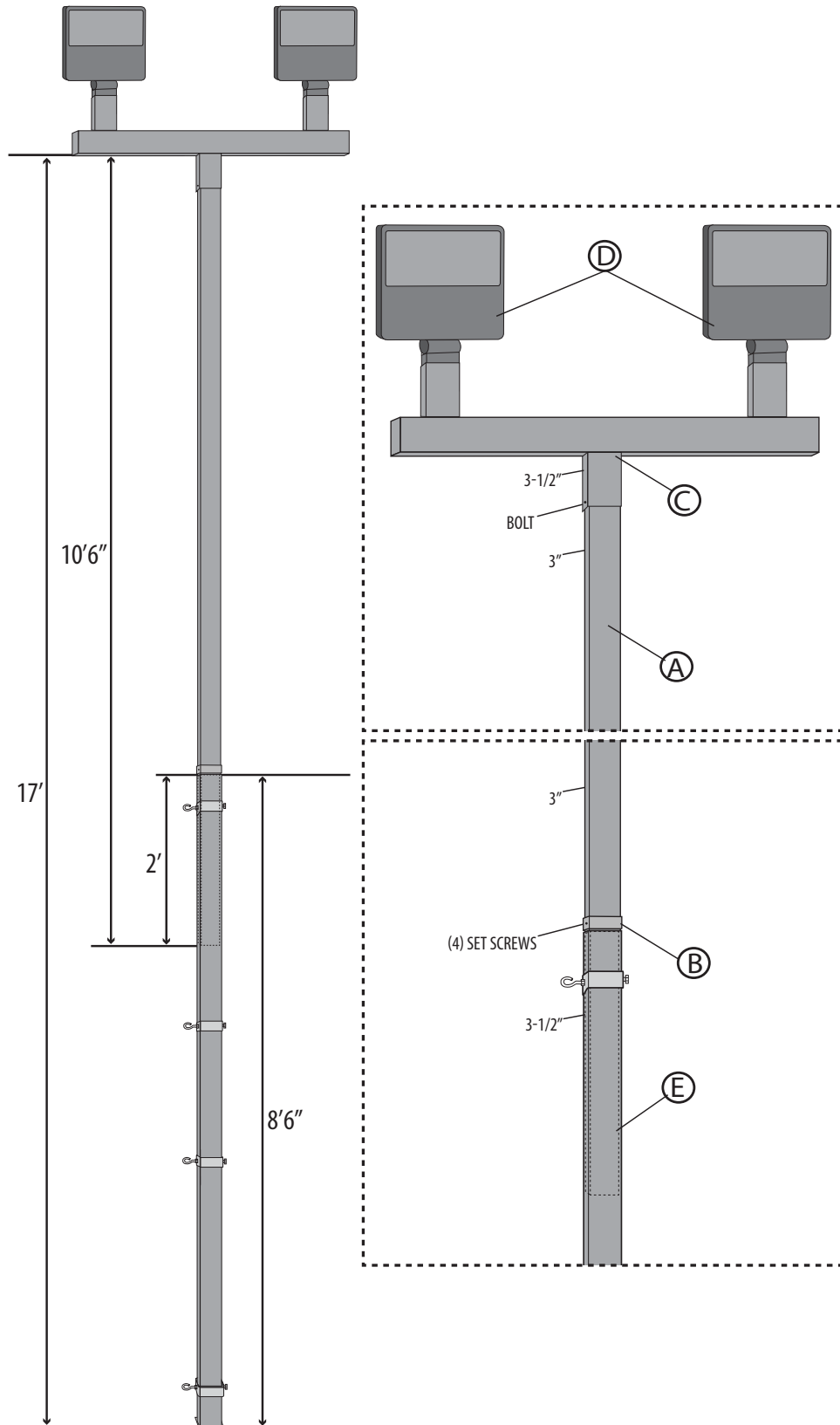




In-line Light System with LED Lights

Item # 68513



PARTS LIST

Reference	Qty	Description
A	(1)	3" Square Light Pole - 10'6" Long
B	(1)	Height Adjustment Collar
C	(1)	Light Extension Arm
D	(2)	Light Fixtures, 100 W LED

SOLD SEPARATELY

E	(1)	3.5" SQ Adjustable Net System
---	-----	-------------------------------

TOOLS NEEDED

9/16" Socket Wrench
Allen Wrench (provided)
20' Rope
Wiring

POLE INSTALLATION

1. Before inserting the light pole into the net system pole, ensure all collars for adjusting the net are installed in the proper location and tightened.
2. Slide the height adjustment collar on either end of the 3" SQ 10'6" light pole a minimum of 24" from the end. This allows 17' from the ground to the top of the light pole. With provided Allen wrench, tighten the (4) set screws on the adjustment collar to secure in place.
3. Place the light fixtures into the top supports on the light extension arm.
4. Slide the extension arm over the 10' 6" light pole on the opposite end of the adjustment collar. Tighten the bolt with a 9/16" socket wrench to secure it in place.
5. String the 20' of rope through the pole. This way, you will already have a guide rope to pull the wire through.
6. Insert the end of the light pole with the collar into the top of the Adjustable Net System Pole. The 3" SQ 10'6" pole will rest 2' inside the net system pole.
7. A state-certified electrician should complete the wiring installation for the light fixtures.