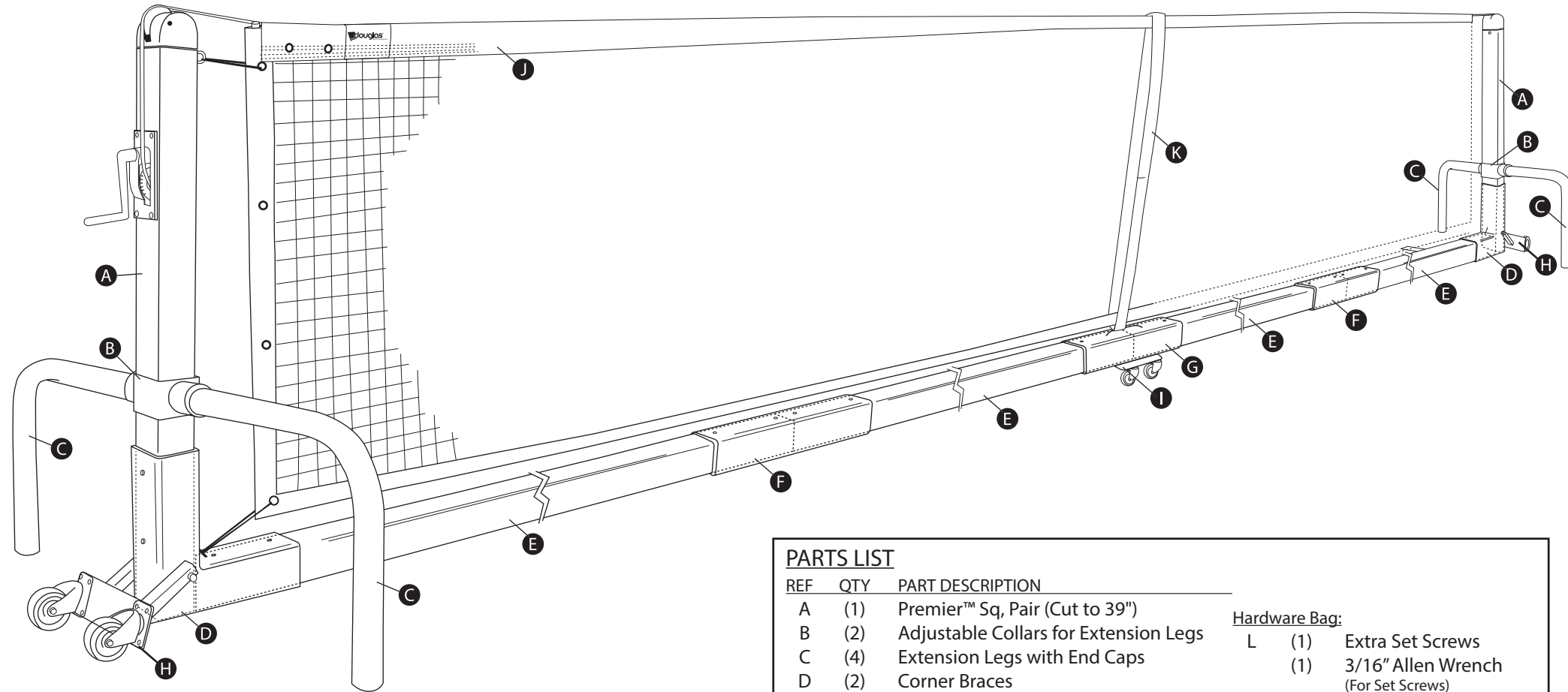


Douglas® PPS-42SQ
Premier™ Portable Tennis, 42" x 42'

Item # 63100



PARTS LIST

| REF | QTY | PART DESCRIPTION |
|-----|-----|---------------------------------------|
| A | (1) | Premier™ Sq, Pair (Cut to 39") |
| B | (2) | Adjustable Collars for Extension Legs |
| C | (4) | Extension Legs with End Caps |
| D | (2) | Corner Braces |
| E | (4) | 3" Square x 10'6" Base Frame |
| F | (2) | Coupler Base Frames |
| G | (1) | Center Coupler Base Frame |
| H | (2) | End Caster Assemblies |
| I | (1) | Center Caster Assembly |
| J | (1) | Tennis Net (3'2"H x 41'9"L) |
| K | (1) | Velcro Center Strap |

Hardware Bag:

| | | |
|---|-----|--|
| L | (1) | Extra Set Screws |
| | (1) | 3/16" Allen Wrench (For Set Screws) |

Inside Take-up Post:

| | | |
|--|-----|-----------------|
| | (1) | Hardware Handle |
| | (4) | Eye bolts |

TOOLS NEEDED (NOT PROVIDED)

9/16 Wrench or Socket
Tape Measure

FRAME INSTALLATION

STEP 1

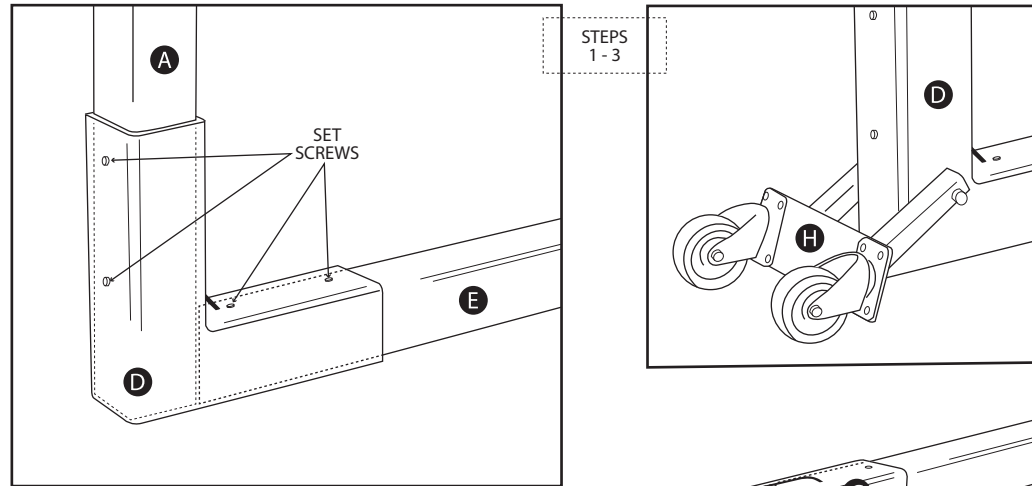
Lay out all parts as shown in drawing.

STEP 2

Insert the vertical end posts (Ref. A), into the corner braces (Ref. D). Vertical end posts should drop all the way down to ground level inside the corner brace.

STEP 3

With a 9/16 wrench, attach and secure end caster assemblies (Ref. H) to the corner braces (Ref. D) and the center caster assembly (Ref. I) to the center coupler (Ref. G).



STEPS 4 & 5

STEP 4

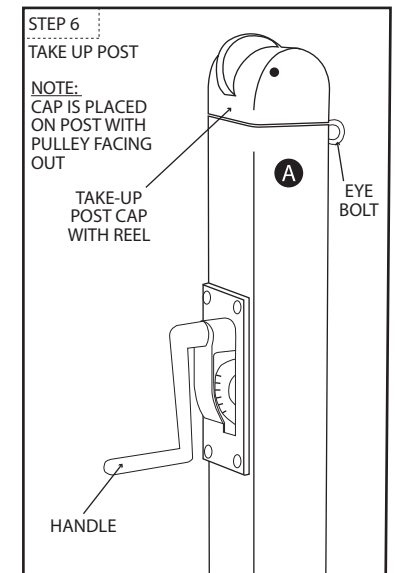
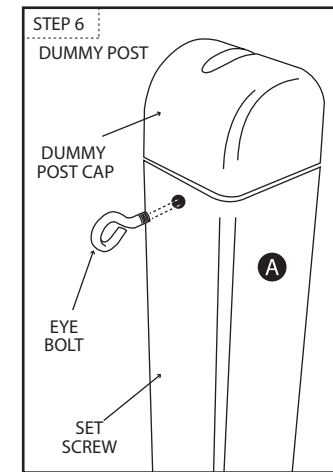
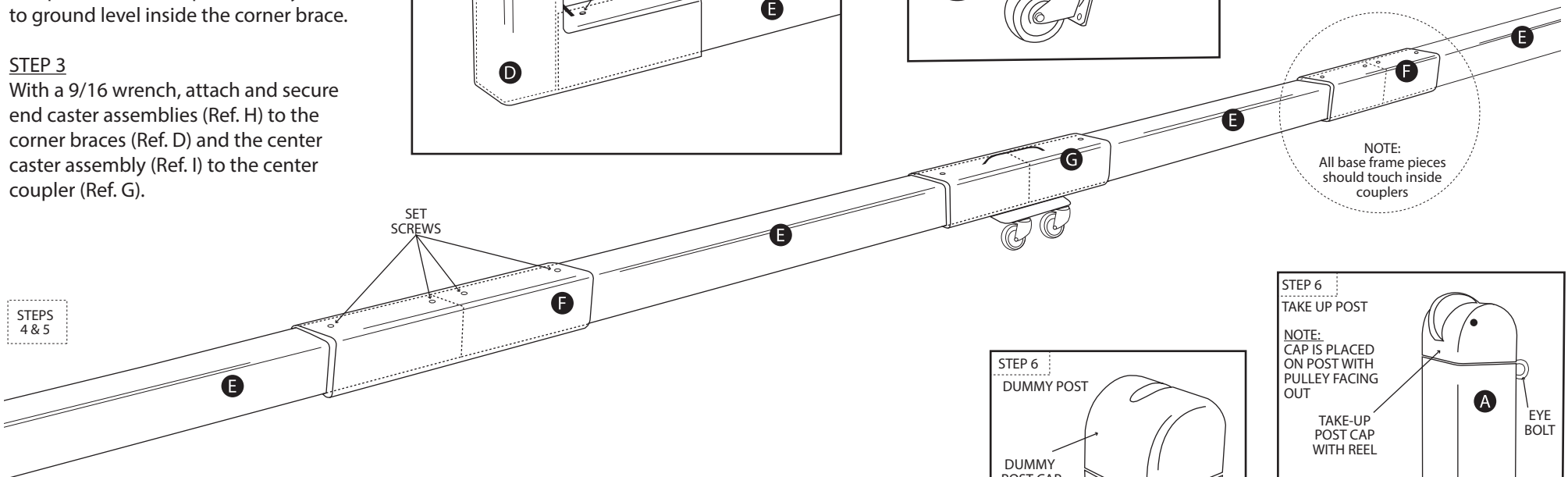
Assemble bottom frame by sliding together all (4) bottom frame pieces (Ref. E) using coupler pieces (Ref. F,G) in layout as shown in drawing. There should be no gaps between bottom pieces. Full length should be 42' once assembled. (Inside of post to inside of post)

STEP 5

Tighten all pre-attached set screws with provided allen wrench to secure frame-work into place. (Extra set screws are included in hardware bag in case any are missing from frame)

STEP 6

Screw the (2) provided eye bolts into the threaded hole at top of each vertical post.
Note: The eye bolts and handle are located in a bag inside of the take up post. ******(2) Extra eye bolts are included.



Douglas® PPS-42SQ Premier™ Portable Tennis, 42" x 42'

Item # 63100

NET INSTALLATION:

STEP 1

On the Dummy post, Attach the "Loop" end of the cable to the hook. NOTE: Make sure to hold onto the opposite "cut end" of the cable so that it doesn't get pulled into the net headband.

STEP 2

On the Take-up Post; bring the cable over the pulley on top of the post, down the side, and insert the cut end into the gear hole. Use provided chrome handle to start cranking the net up.

STEP 3

Insert provided dowels through the end side tapes of net.

STEP 4

Use (4) total Tie Raps to attach the top of the net to the eye bolts, and bottom of the net to corner bars on bottom of frame. NOTE: Optional lacing cord is provided if desired in lieu of tie raps.

STEP 5

Install center strap over the net and secure to Center Coupler (Ref. G). NOTE: Chrome loop snap is pre-installed on strap, but should be removed prior to installation, as attaching directly to coupler looks cleaner. Adjust strap so that the center of the net sits at 36".

