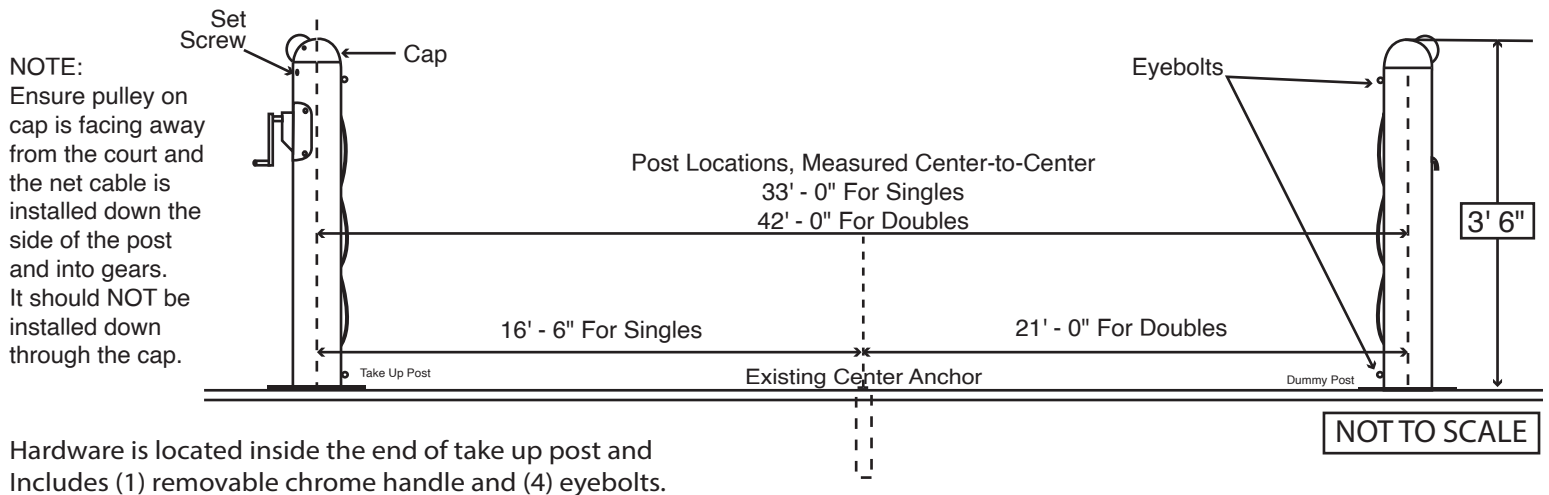


Douglas® Tennis Premier™ SQ Surface Mount

Item # 63060



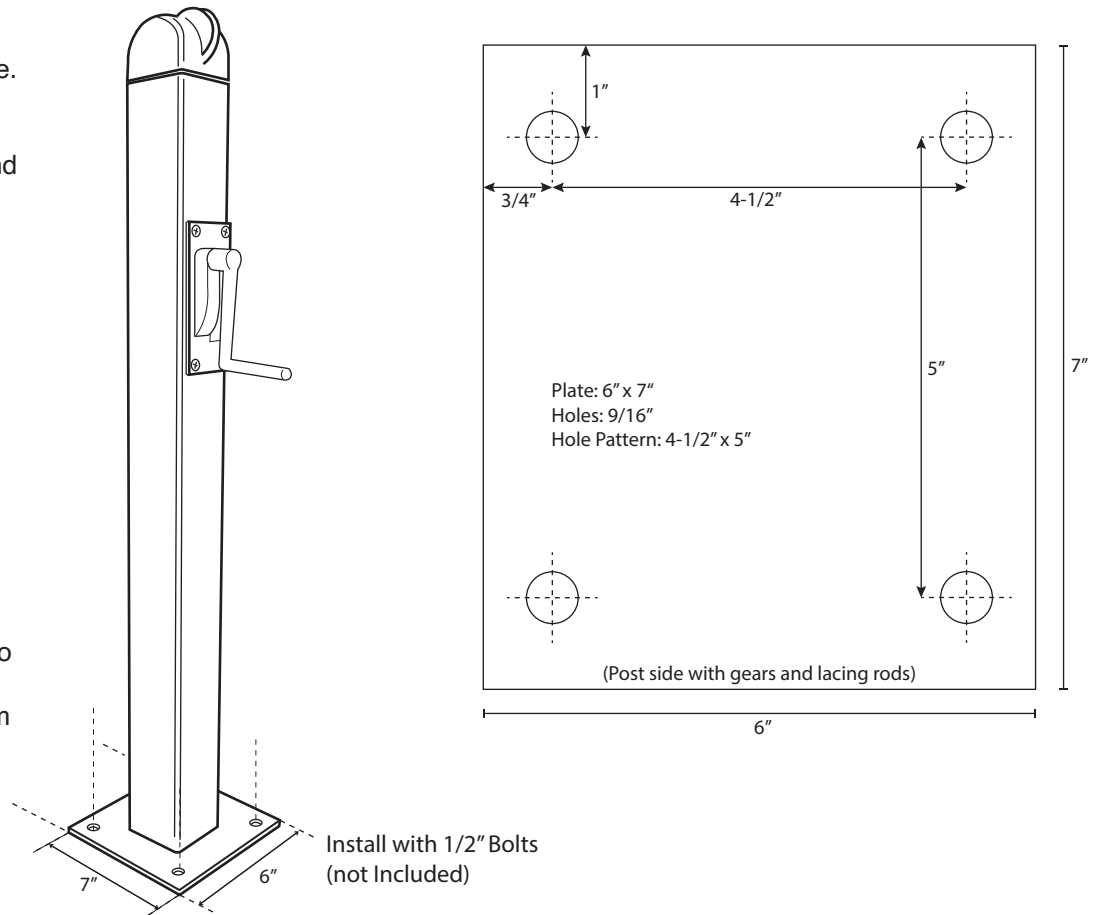
POST & BOLT PLATE

POST INSTALLATION:

1. Use 1/2" Bolts (not included) to secure posts to the court surface. Bolts should be a minimum of 2-3/4" long. Posts should be square to the playing surface and be spaced 42' apart (measured center-to-center) for doubles courts or 33' apart for singles courts.
NOTE: Do not drill holes in advance
2. Install hardware to post
3. Adjust set screw to tighten tennis post caps.
4. Screw on the top and bottom eyebolts to each post.

CARE & MAINTENANCE

During the off season, it is best to winterize your court by removing the tennis posts and storing them indoors.



Douglas® Premier™ SQ

Surface Mount

1. Stretch out the net across the court.
2. Attach the loop on the other end of the cable to the hook half way down the outside of the “dummy” post.
3. Since the Premier is an internally wound post, cut off the loop at one end of the cable for the take up side. Leave some excess in order to allow for several turns around the internal mechanism. Now, insert the plain cable into the hole on the gear.
4. Turning the handle clockwise, crank up cable so center of net is approximately 38". **DO NOT OVERWIND.**
5. Insert dowels (provided) through the end side tapes.
6. To secure the net with provided lacing cord; You will receive (2) shorter white pieces of cord and (2) longer pieces of black cord. Take one piece of white lacing cord and tie a knotted loop approximately 2" at one end. Use this white cord to lace through the (2) grommets on the net headband, as well as the 1st top grommet on the side of the net; tie a knot and secure to top eyebolt. Next, use the black cord and start by tying the top of the black cord to the top eyebolt, and proceed in lacing the cord through the grommets and onto the lacing rods (if available) or around the post. Continue this along the entire side of the net. As you move down the post, keep tension on the lacing cord. Once the lacing cord has been installed through all the grommets, begin at the top and pull on the lacing cord until the net is flush against the net post from top to bottom. Once the net is flush against the net post, tie the lacing cord at the bottom of the net post to the eyebolt. Cut off any excess lacing cord. Repeat for other post.
7. Measure the depth of the net in the center and adjust the optional center strap to make the net 36" at the center line of the courts.
8. Your installation is now complete. Your net should sit comfortable but somewhat taut between the net posts with a small gap between the net and posts.

