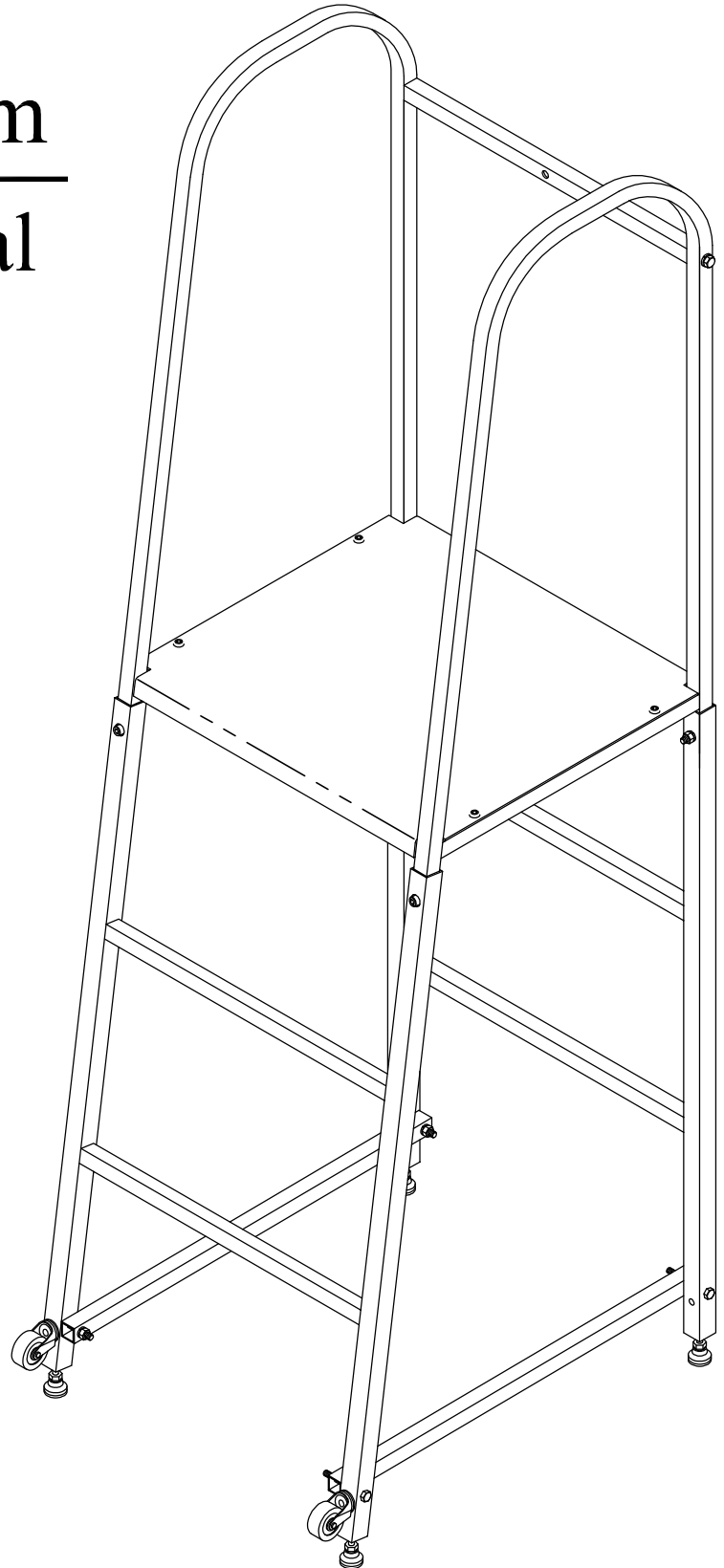




Referee Platform

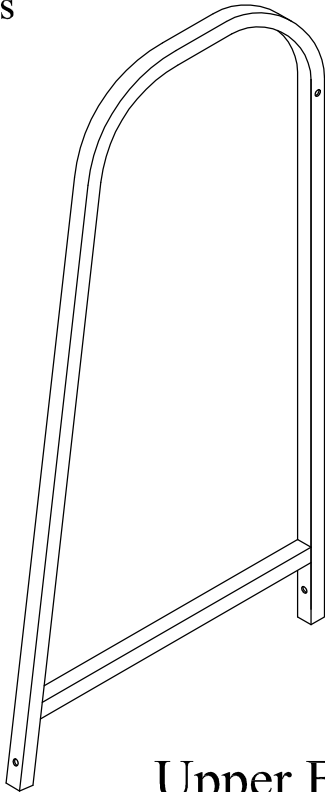
Assembly Manual



PUBLICATION No.
601753160

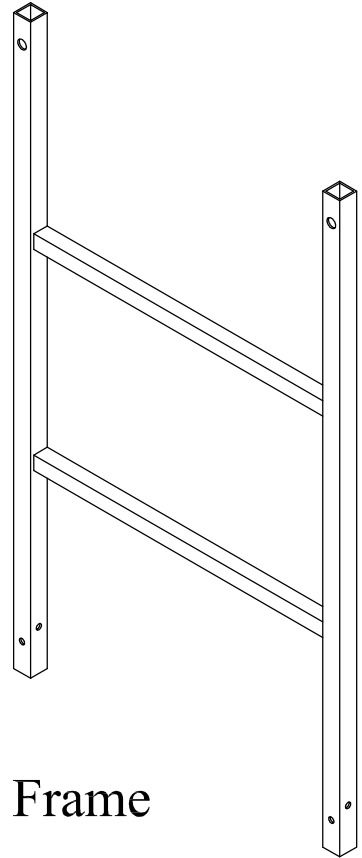
Identify main parts by letter.

A 2-Parts



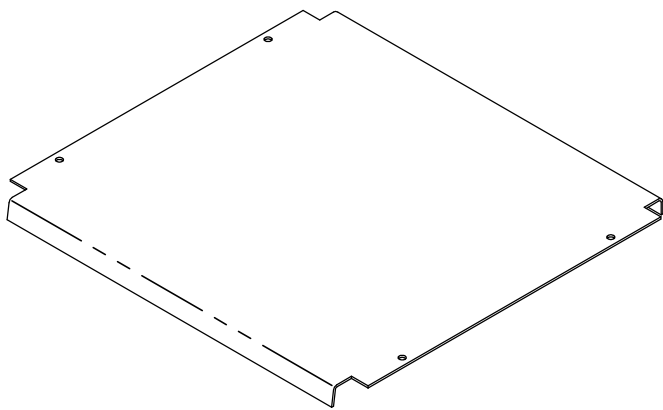
Upper Frame

B 2-Parts



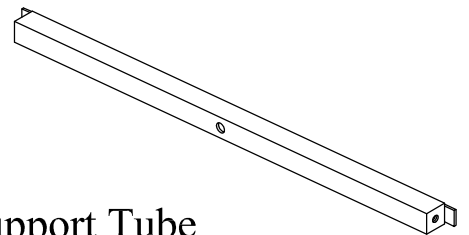
Lower Frame

C 1-Part



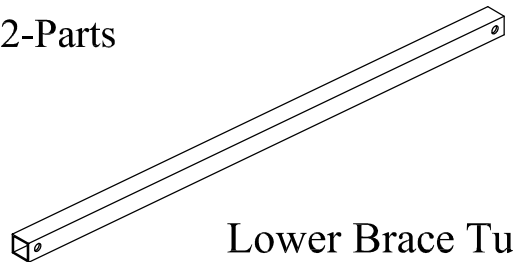
Platform

D 1-Part



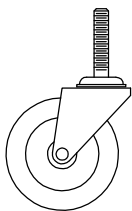
Upper Support Tube

E 2-Parts



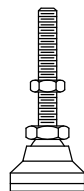
Lower Brace Tube

F 2-Parts



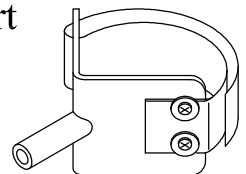
Caster

G 4-Parts



Swivel Foot Pad

H 2-Part

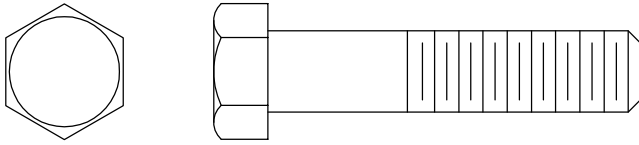


V-Bracket Assembly

Identify fasteners by number.

1

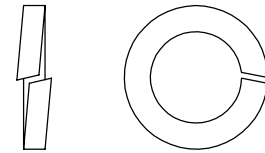
Qty. 2



7/16" Hex Head Bolt x 2" Long

7

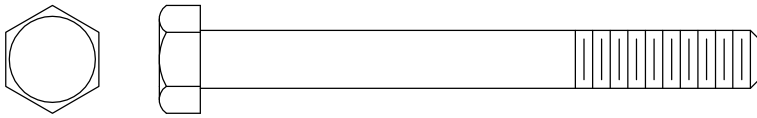
Qty. 2



7/16" Lock Washer

2

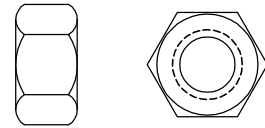
Qty. 4



5/16" Hex Head Bolt x 3" Long

8

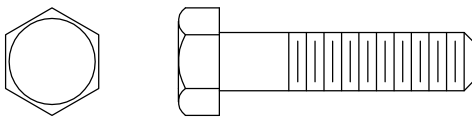
Qty. 2



3/8" Hex Nut

3

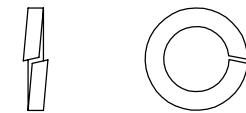
Qty. 2



5/16" Hex Head Bolt x 1-3/8" Long

9

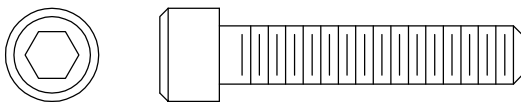
Qty. 14



5/16" Lock Washer

4

Qty. 4



5/16" Socket Head Cap Screw x 1-5/8" Long

10

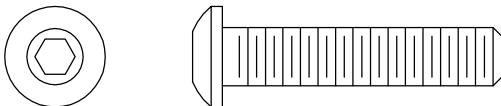
Qty. 12



5/16" Hex Nut

5

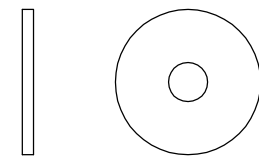
Qty. 4



5/16" Button Head Cap Screw x 1-1/2" Long

11

Qty. 2



3/16" Fender Washer

6

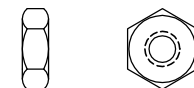
Qty. 2



#10-24 Pan Head Screw x 1/2" Long

12

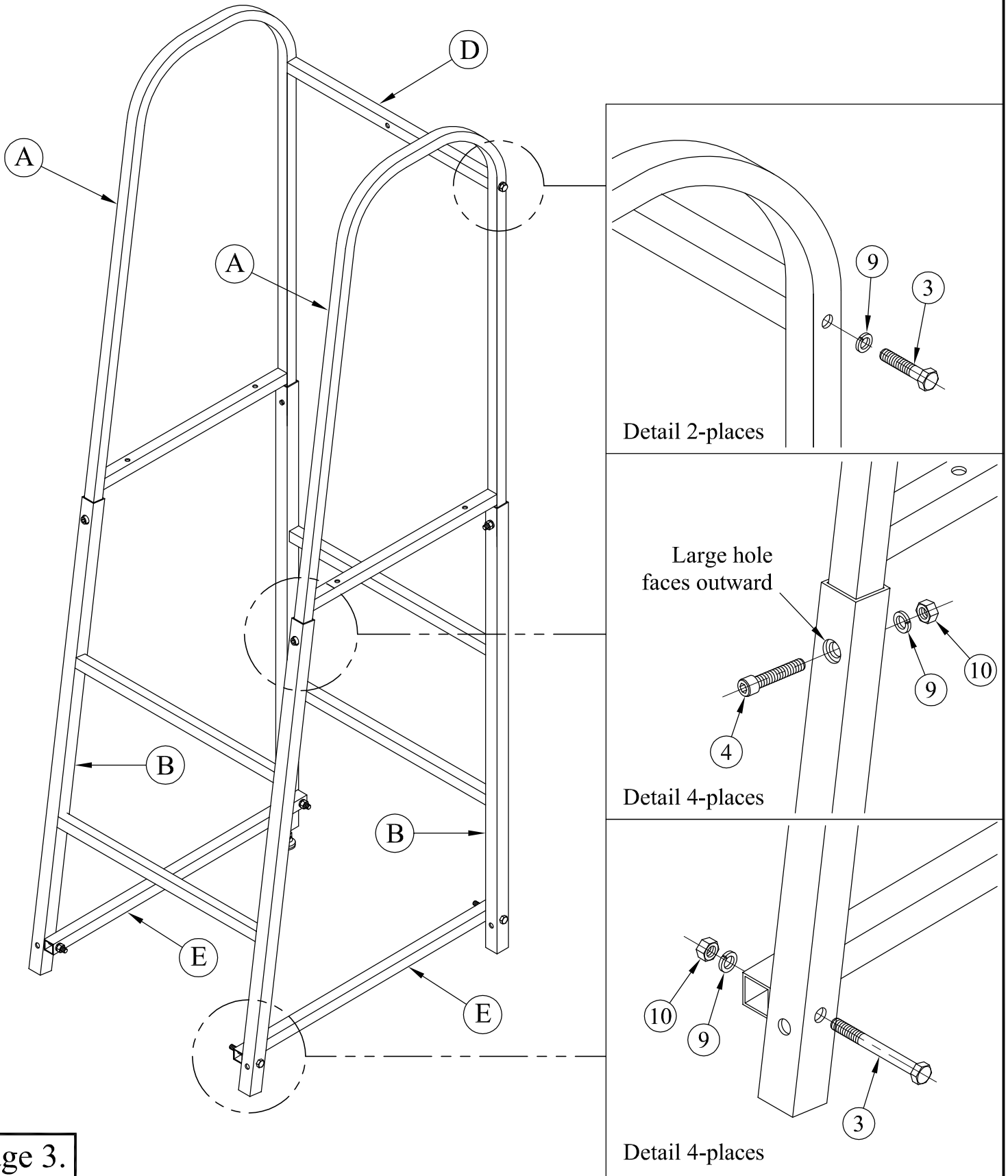
Qty. 2



#10-24 Hex Nut

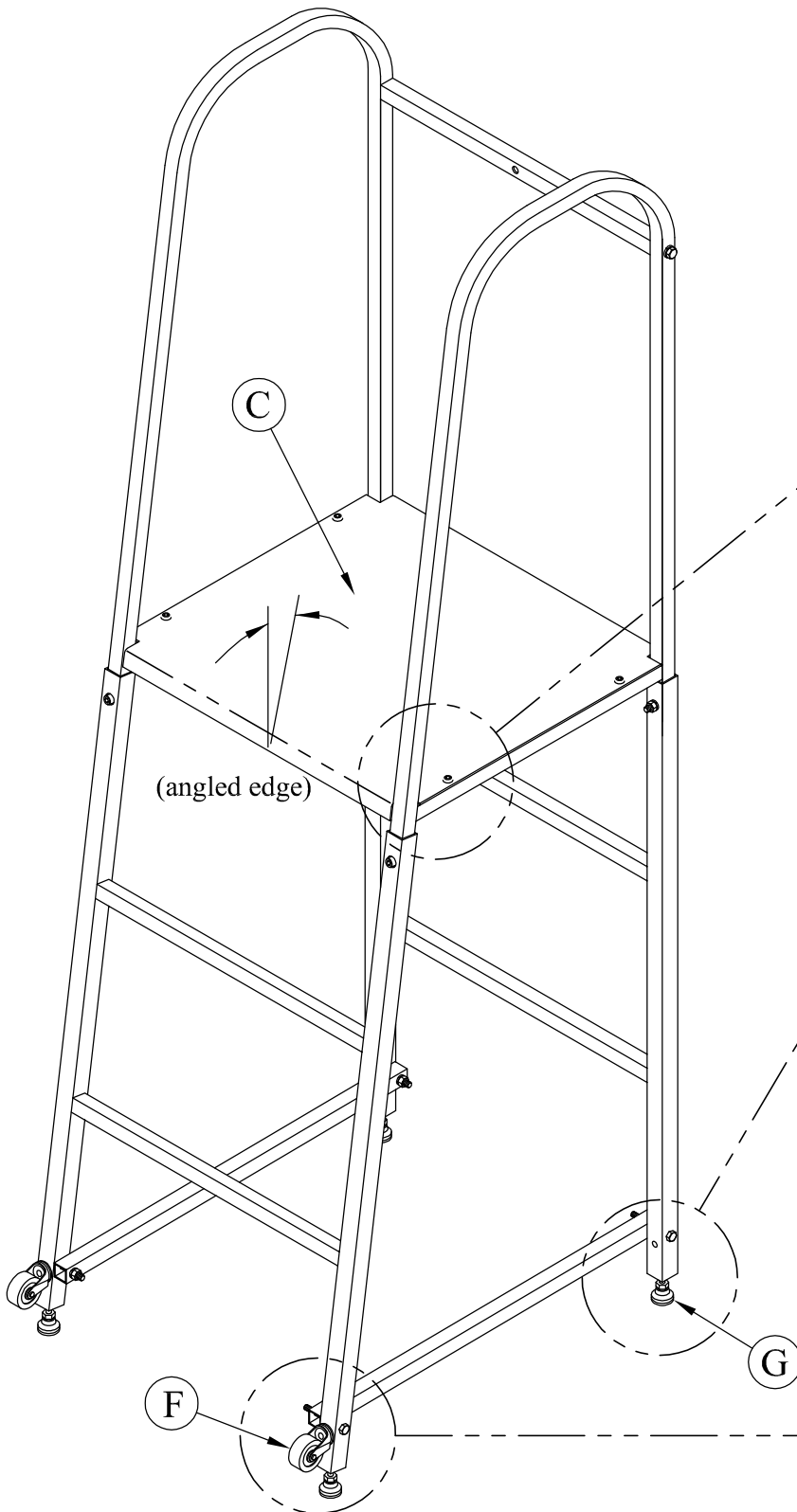
ASSEMBLY PROCEDURE:

Assemble upper frames (A) to lower frames (B).
Add lower brace tubes (E). Add upper support tube (D).
See detail views at right for fastener selections.

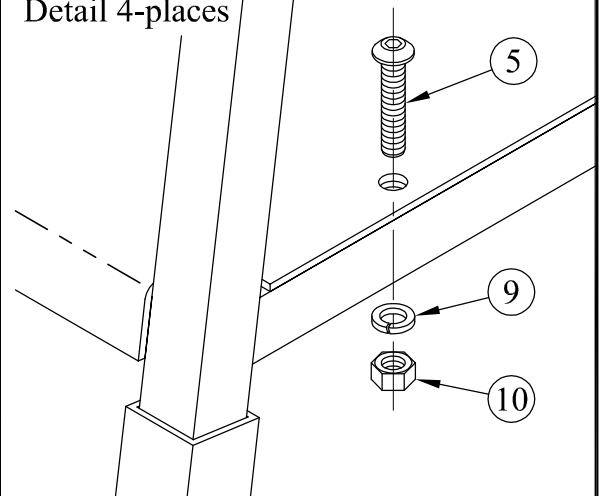


ASSEMBLY (CONTINUED)

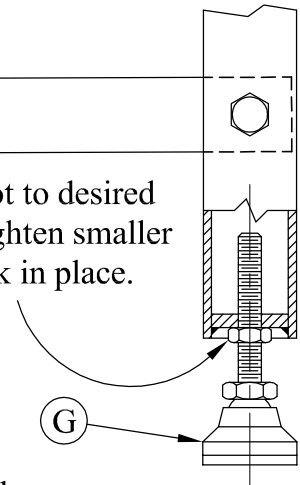
Assemble the platform (C) with the angled edge toward steps as shown.
Attach the casters (F) and the foot pads (G).
See detail views at right for more information.



Detail 4-places

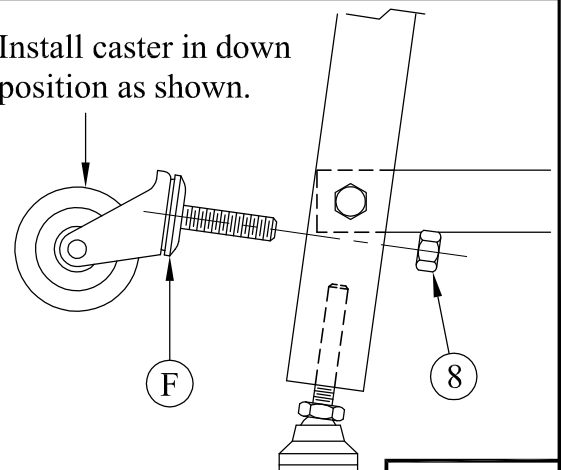


Screw foot to desired depth. Tighten smaller nut to lock in place.



Detail 4-places

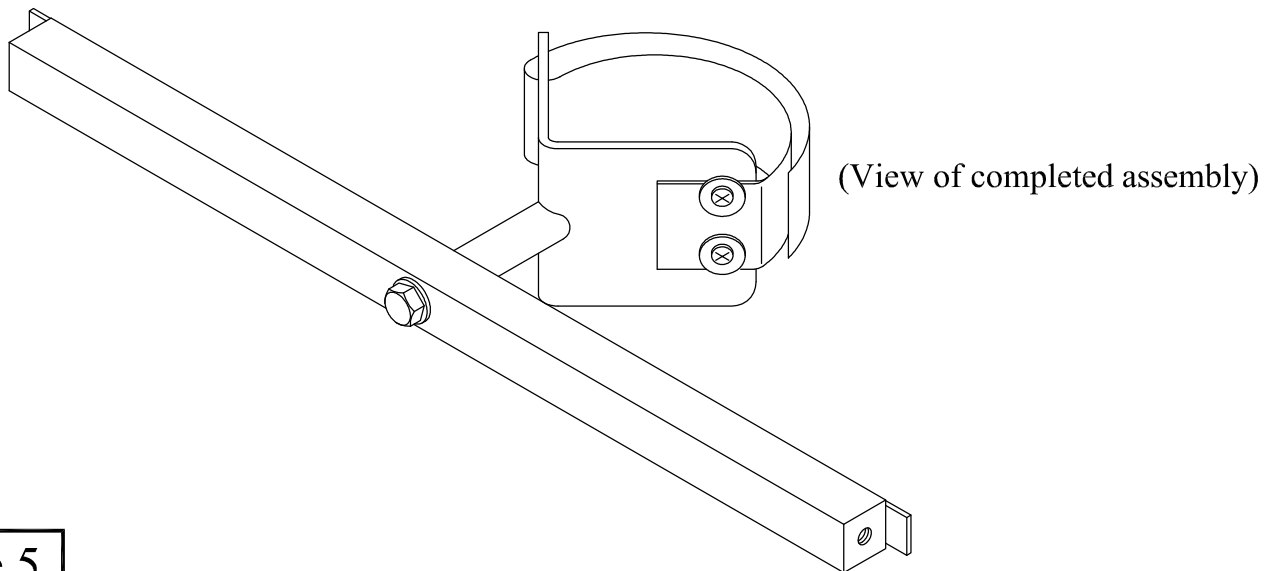
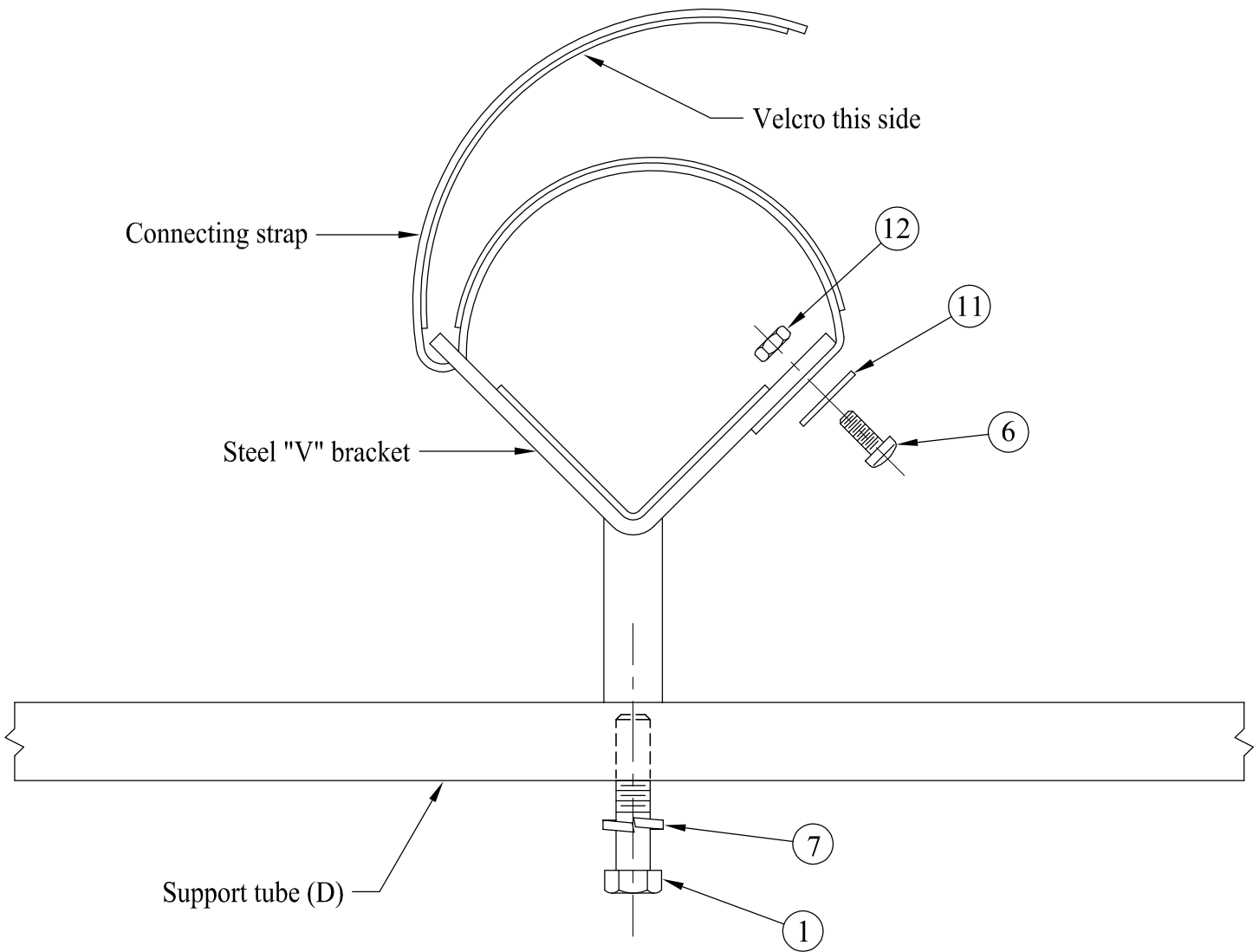
Install caster in down position as shown.



Detail 2-places

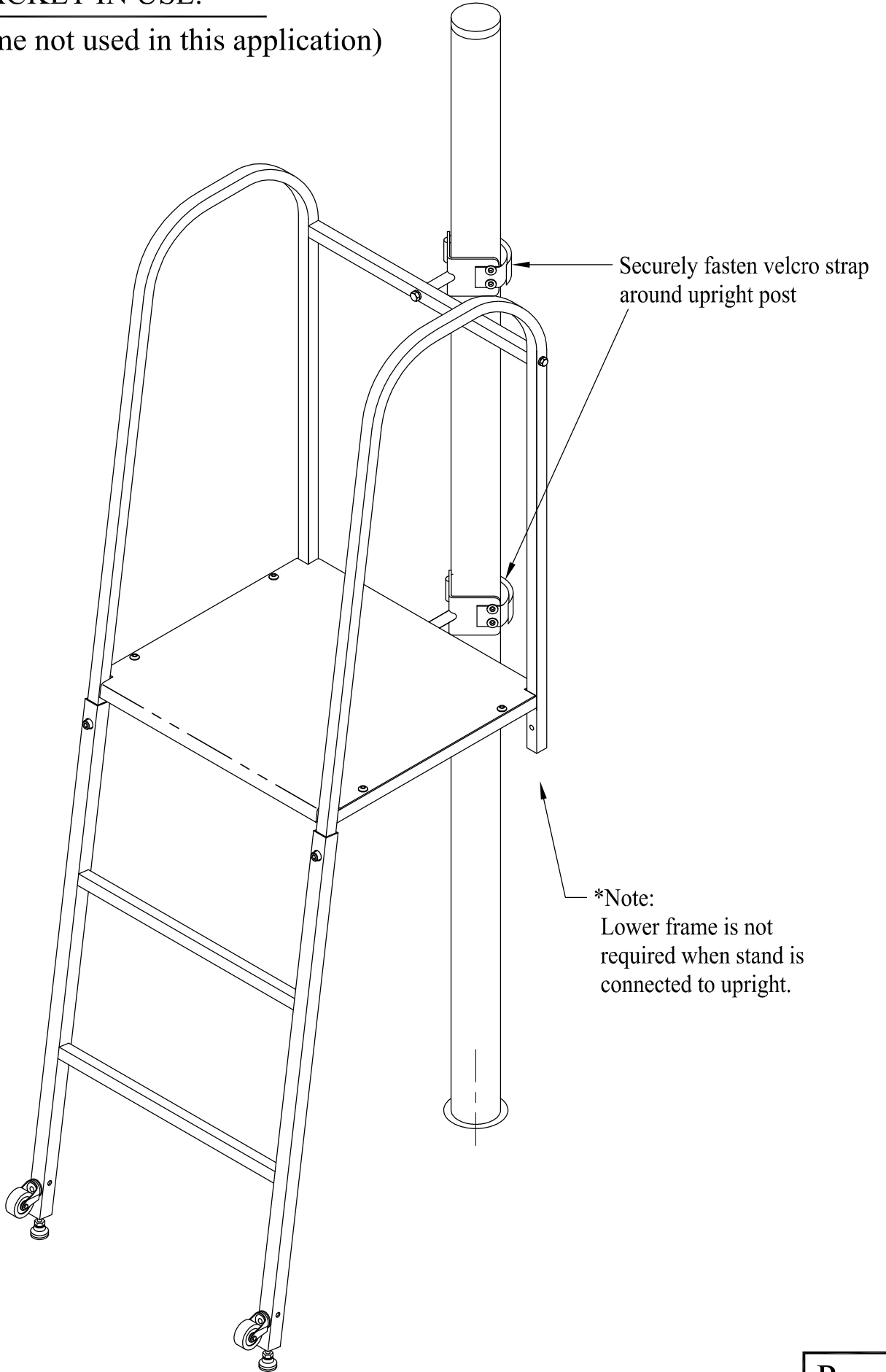
POST MOUNTING BRACKET

Assemble the bracket as shown at top and bottom.
Use the numbers to select the proper fasteners.



POST BRACKET IN USE:

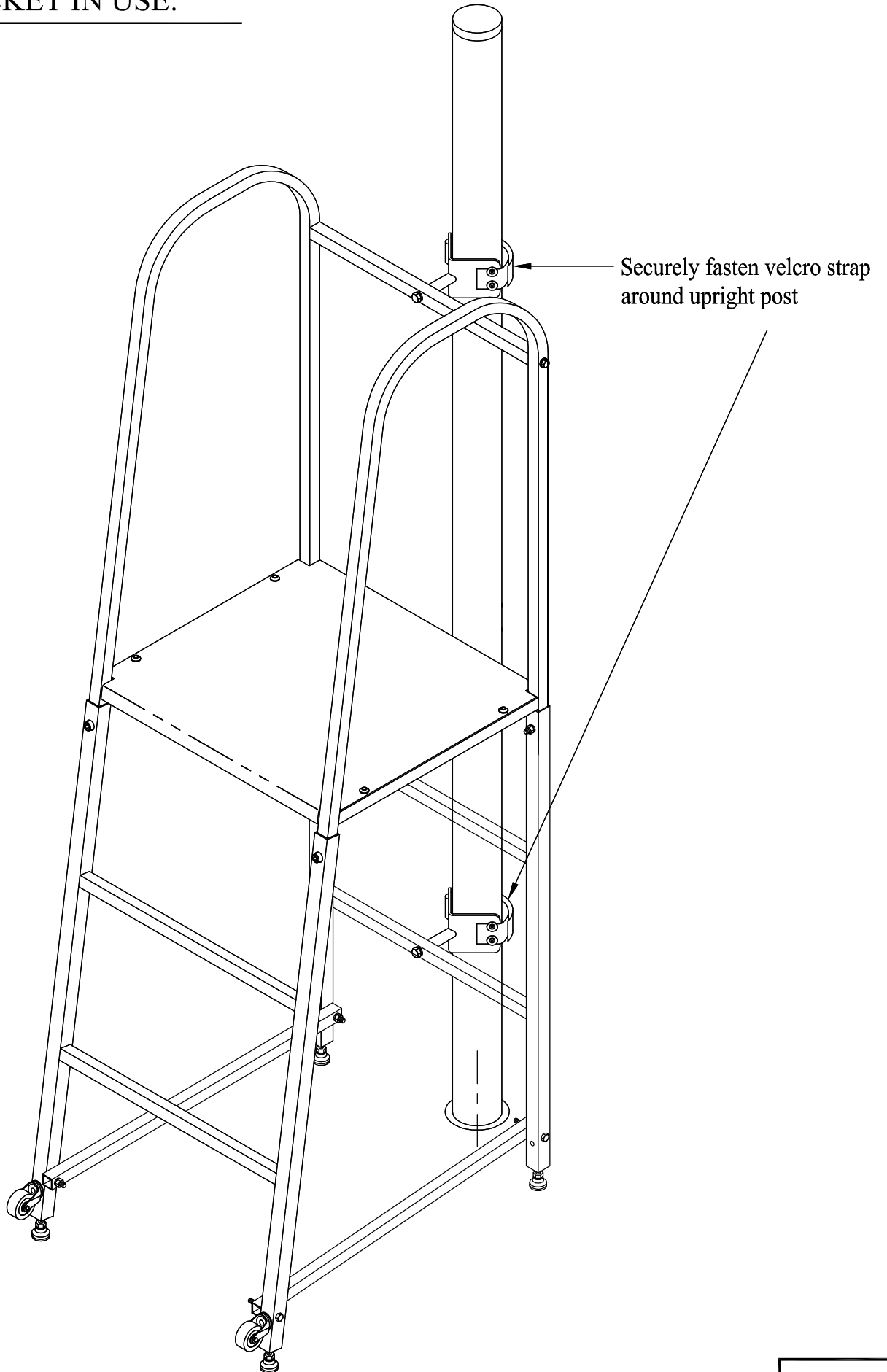
(Lower frame not used in this application)



Securely fasten velcro strap around upright post

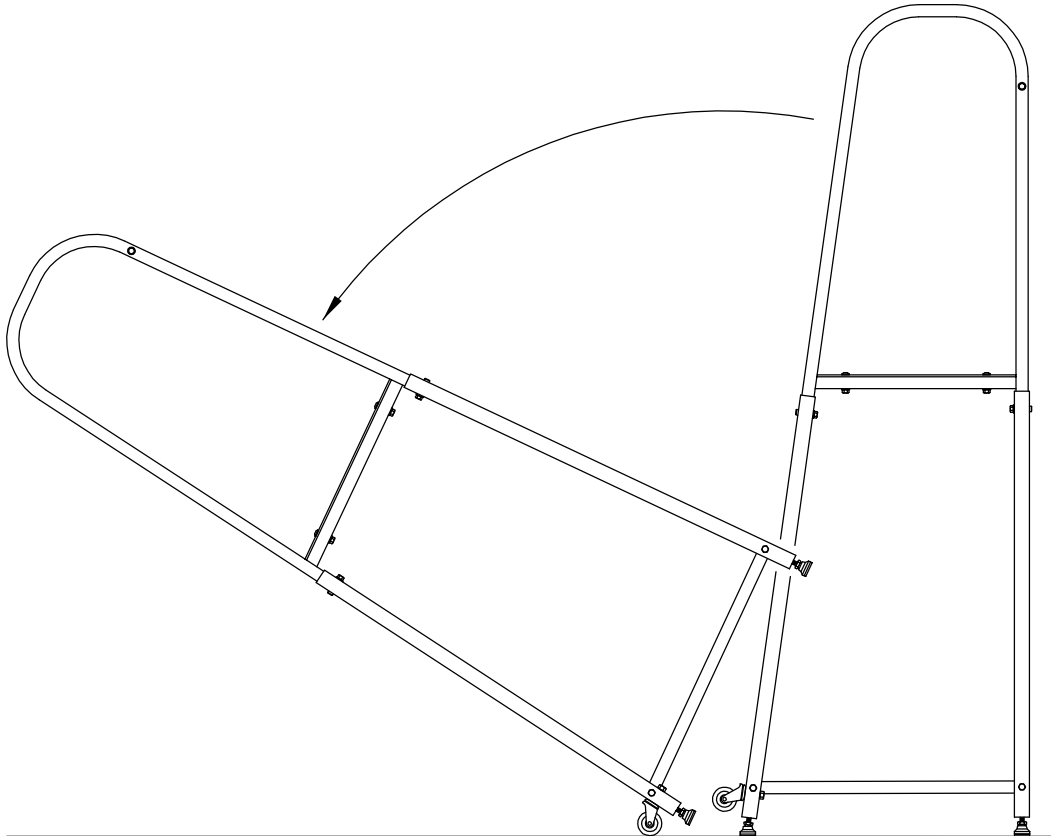
*Note:
Lower frame is not required when stand is connected to upright.

POST BRACKET IN USE:



TO MOVE PLATFORM:

Tilt platform over onto casters for ease of movement.



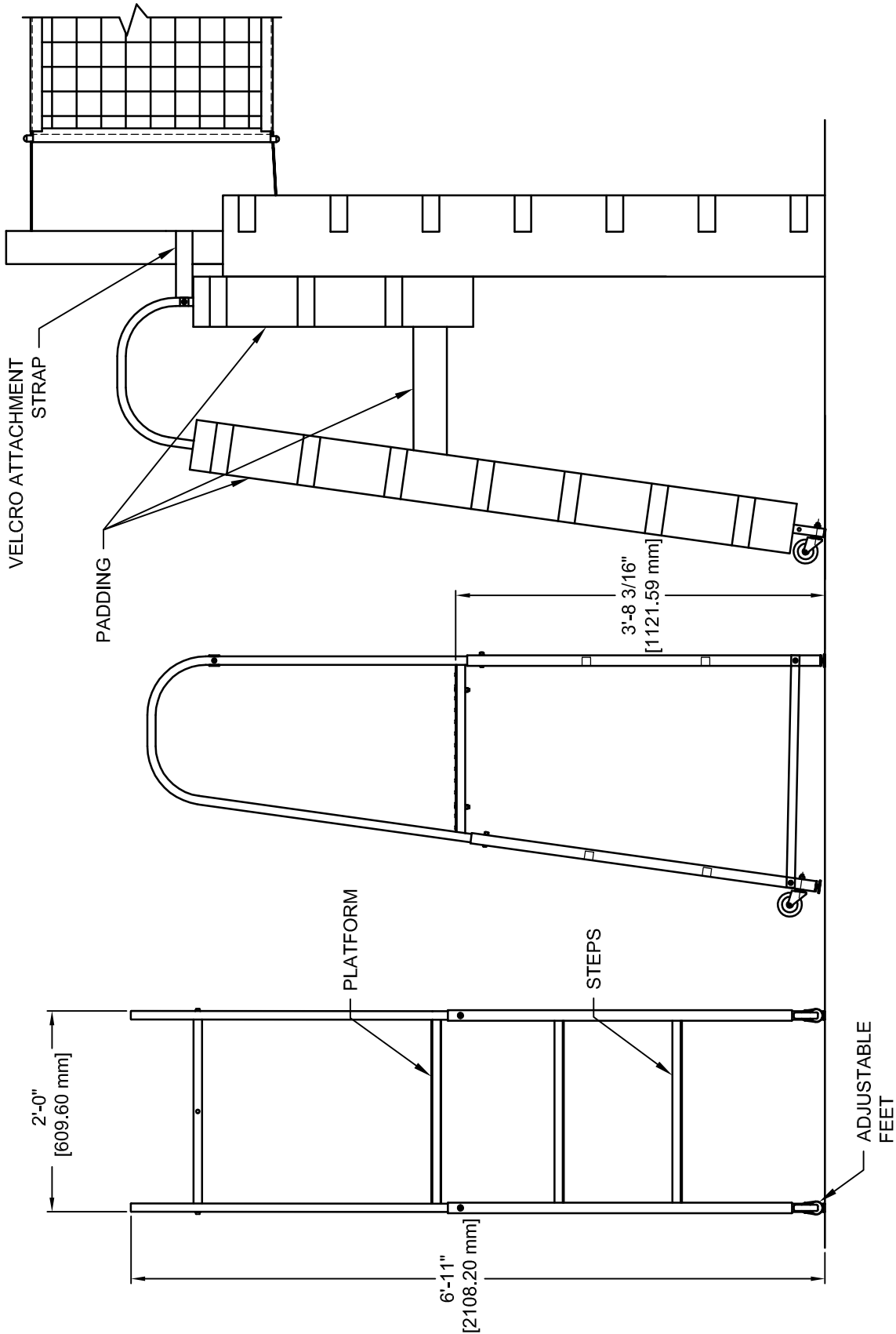
Gared Holdings, LLC

Performance Sports Systems
9200 E. 146th Street
Noblesville, IN 46060

800-848-8034
www.perfsports.com

Gared Sports
707 North 2nd Street
St. Louis, MO 63102

800-325-2682
www.garedsports.com



SIDE VIEW 6445
SHOWN WITH PADS

SIDE VIEW 6446
SHOWN WITHOUT PADS

FRONT VIEW 6446 / 6445
SHOWN WITHOUT PADS

REVISION		
REV.	DATE	BY
A	12/17/03	MJB
B	04/07/04	JJC
C	05/14/04	JJC
D	06/02/08	RWP
E	4/9/14	DWP




Gared Holdings, LLC
9200 E. 146th St. Noblesville, IN 46060

THIS DOCUMENT CONTAINS TRADE SECRET AND OTHER MATERIALS WHICH ARE PROTECTED BY CONFIDENTIALITY NOTICE AND AGREEMENT AND BY COPYRIGHT. ANY USE OR COPYING OF THIS DOCUMENT EXCEPT AS AUTHORIZED BY GARED HOLDINGS, LLC IS STRICTLY PROHIBITED.

VOLLEYBALL REFEREE STAND

DRAWN	CONNERLEY	DATE	05/09/03	MATERIAL	N/A
APPROVED	JJC	DATE	05/09/03	FINISH	N/A
FILE LOC. Q:\Final Release\Specifications				DWG. NO.	6446
SIZE	SCALE	SHT. NO.	PART NO.	REV	
A	NONE	1 OF 1	6446	E	



MODEL 6446
REFEREE STAND

Model 6446 Referee Stand shall be constructed of square tubular steel with platform. Stand shall be self-supporting on four legs braced with 1" square tubing. Stand shall have safety bars 34" above the platform.

Referee Stand shall be able to be converted by removing two front legs to be supported on two rear legs and connected to the volleyball post by means of a V-bracket and Velcro.

MODEL 6040
REFEREE STAND PADDING

Optional padding for model 6446 Referee Stand covers the legs, braces, and platform edge. Padding shall be minimum 1" thick cross-linked polyethylene closed cell foam covered with 14-oz. nylon reinforced vinyl. Colors available are white, yellow, orange, red, kelly green, forest green, royal blue, marine blue, navy blue, dark blue, gray, black, maroon, beige, teal and purple.

See model number code chart for volleyball padding for specific model number.

Custom colors must have a written description.