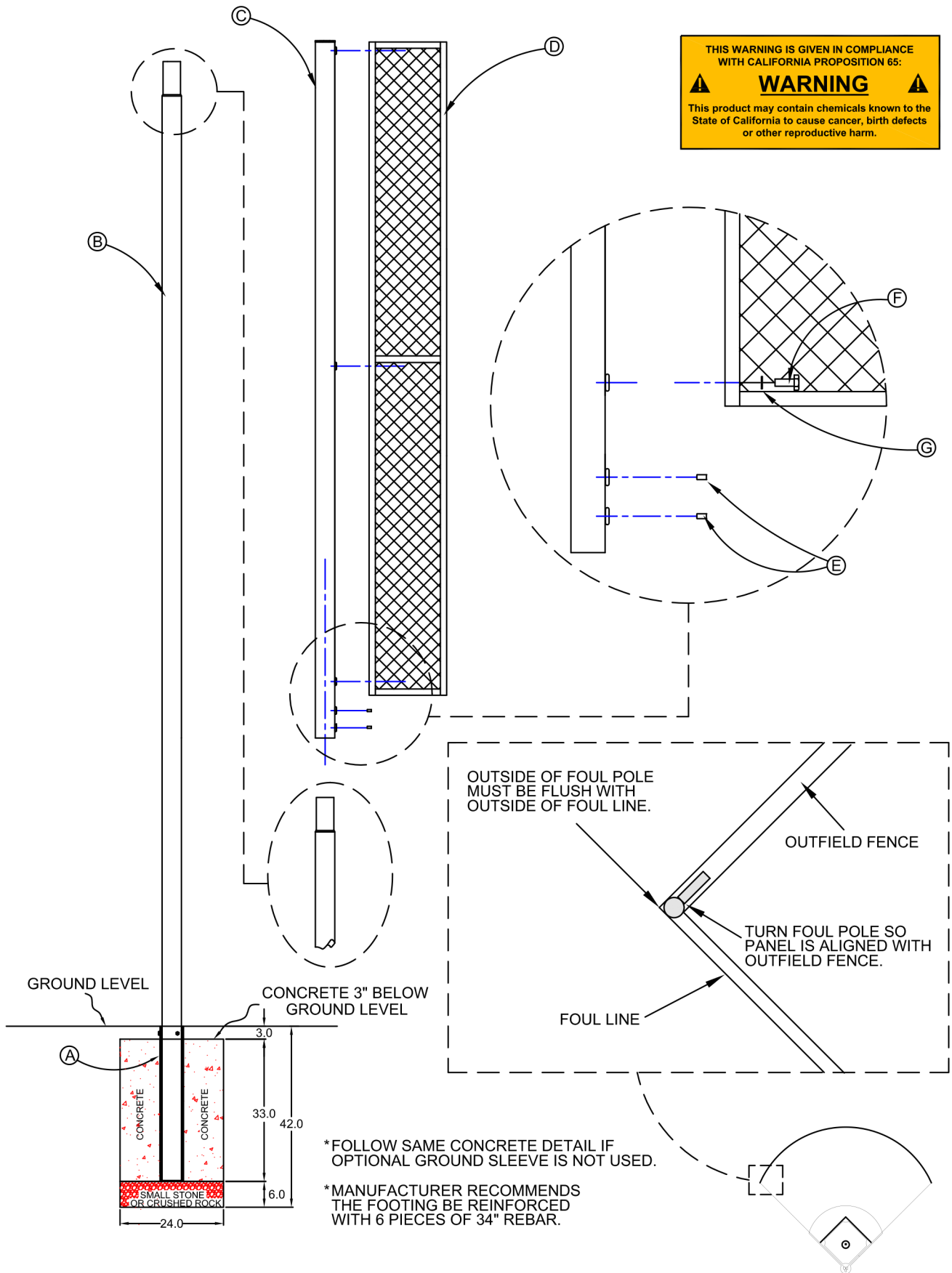


# BASEBALL FOUL POLE - 12'

THIS WARNING IS GIVEN IN COMPLIANCE WITH CALIFORNIA PROPOSITION 65:

**WARNING**

This product may contain chemicals known to the State of California to cause cancer, birth defects or other reproductive harm.



# BASEBALL FOUL POLE - 12'

ITEM	DESCRIPTION	QTY
A	GROUND SLEEVE (OPTIONAL) 36"	1 PR
B	LOWER FOUL POLE W/ SWAGE END AND HARDWARE	2 EA
C	UPPER FOUL POLE	2 EA
D	PANEL	2 EA
E	SOCKET SET SCREW 12 MM	4 EA
F	BUTTON HEAD SOCKET BOLT 12 MM	6 EA
G	WASHERS 12 MM	6 EA

IMPORTANT NOTE: HARDWARE ITEMS ARE PACKAGED INSIDE THE LOWER POLE.

## **INSTALLING GROUND SLEEVE**

**STEP 1)** Dig hole. It is recommended that you dig a hole that is 24" diameter and 42" deep. Local soil conditions may vary. Please consult your local contractor.

**STEP 2)** Plumb Ground Sleeve and concrete in place. (Be sure to pour concrete 3" below ground level. This will allow room to tighten the set screws. Allow concrete to dry for 72 hours.)

## **ASSEMBLY INSTRUCTIONS**

**STEP 1)** Lay out all parts and consult Parts List to see that you have received all of the parts. All bolts, nuts and washers are packaged inside of the Lower Pole (**item B**).

**STEP 2)** Place parts on a flat surface to assemble.

**STEP 3)** Start assembly process by attaching Panel (**item D**) to Upper Foul Pole (**item C**) using three Button Head Socket Bolts and three Washers (**item F,G**).

**STEP 4)** Slide the Lower Foul Pole (**item B**) into the Upper Foul Pole (**item C**) and attach using two Socket Set Screws (**item E**).

**STEP 5)** Set Foul Pole into the Optional Ground Sleeve (**item A**) and tighten set screws in Ground Sleeve.